

AUSTRALIAN MADE REMOVABLE CAGES



PACKED WITH OUTSTANDING FEATURES

- ✓ Galvanised Steel Construction
- ✓ Heavy Duty Hinges
- ✓ Adjustable Lock
- ✓ Quick & Easy to Fit
- ✓ Strong and Rigid Design
- ✓ Flat Packs Away When Not In Use

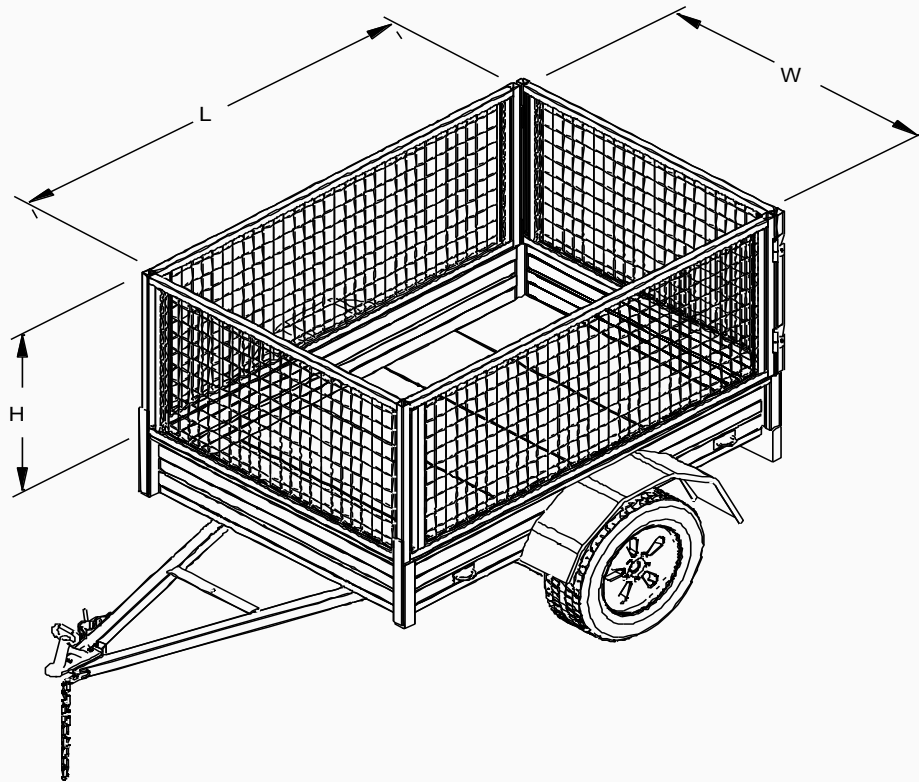
www.trailers2000.com.au

RENT then BUY
FROM \$2.50 DAY

TRAILERS 2000™

AUSTRALIA'S FAVOURITE TRAILER

Just like our trailers our Flat Pack Cages are Australian made from galvanised steel. They are rust free strong and durable and are outstanding value for money. The cages are 600mm high above the trailer and have many outstanding features including a full frame from galvanised square section and 75mm x 50mm galvanized weld-mesh. The cage is made up of 4 sections that are easily assembled to form a strong and durable cage. The cage bolts into the purpose designed utility corner posts on the trailer and is cleverly designed to maintain the integrity at the rear of the cage whilst the rear door is open. The removable rear door is also manufactured from galvanized square section and is fixed with heavy duty hinges and locks with an over centre marine grade lock. The cage is easily removed and the four sections of the cage pack flat for easy storage. Great for camping, moving house and general garden waste, the cage is available to suit all Trailers 2000 trailers.



Suit Single and Tandem Axle Trailers

Size	H	L	W
6 x 4	600mm	1800mm	1200mm
7 x 4	600mm	2100mm	1200mm
7 x 5	600mm	2100mm	1500mm
8 x 5	600mm	2400mm	1500mm
9 x 5	600mm	2700mm	1500mm
10 x 5	600mm	3000mm	1500mm
10 x 6	600mm	3000mm	1800mm
12 x 6	600mm	3600mm	1800mm