

**TRAILERS2000™**  
AUSTRALIA'S FAVOURITE TRAILER

- ✓ 2 YEAR WARRANTY
- ✓ 2 YEAR ROADSIDE ASSIST

# AUSTRALIAN MADE HOT DIP GALVANISED TANDEM TRAILERS



PACKED WITH OUTSTANDING FEATURES

- ✓ Hot Dip Galvanised
- ✓ Extra Heavy Duty Chassis
- ✓ New 14" Wheels & Tyres
- ✓ 4 Corner Posts
- ✓ Checker Plate Floor
- ✓ LED Lights



2000kg GVM

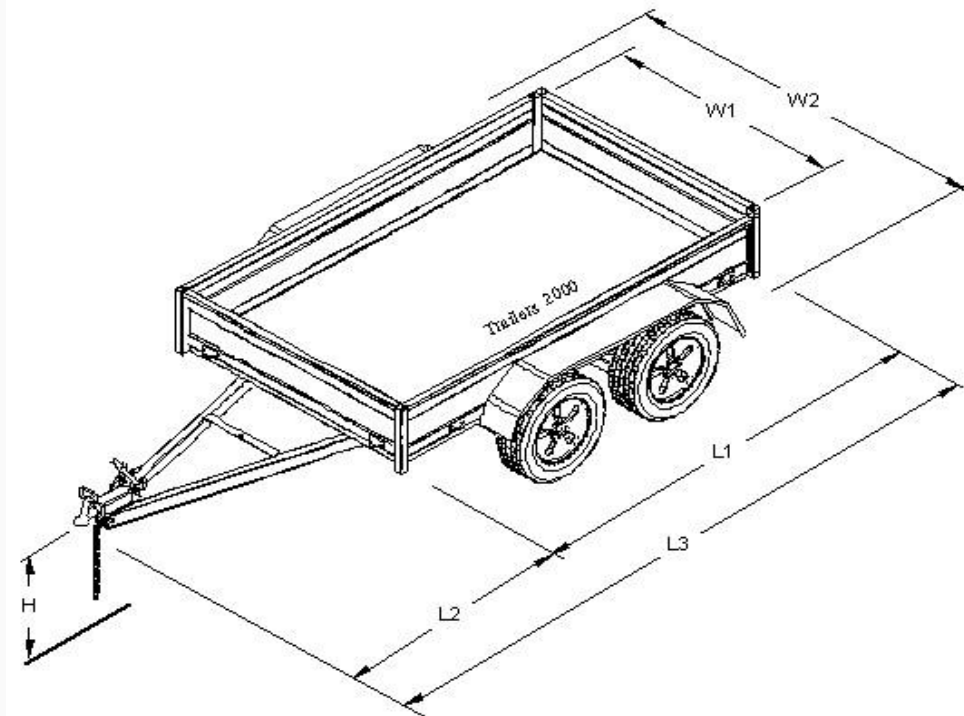
[www.trailers2000.com.au](http://www.trailers2000.com.au)

RENT then BUY  
FROM **\$2.50** DAY

# TRAILERS 2000™

AUSTRALIA'S FAVOURITE TRAILER

The range of heavy duty hot dip galvanised trailers are made tough for Australian conditions. Whether you are carrying a load up the road or across the country you want to rely on the trailer you own to do the job. Our trailers are built to last. Australian made for Australian conditions, and come with unbeatable 2 year Warranty and FREE 2 years Roadside Assist. Check out the outstanding features you get with these trailers: hot dip galvanised, checkerplate floor, full chassis, longer drawbar, jockey wheel clamp, spare wheel bracket, new wheels and tyres, LED lights and magnetic trailer plug. The tandem axle trailers are available in 8 x 5, 9 x 5, 10 x 5, 10 x 6 and 12 x 6 and have a whopping 2000kg Aggregate Trailer Mass (ATM) and are also available in 2490kg and 3000kg (ATM). It doesn't stop there though. Other features include 400mm high sides, wear plate under springs, full rear cross member and utility corner posts mean that your trailer is ready to add a cage any time you want. There are options for electric brakes and rocker roller springs. These heavy duty trailers include full chassis with cross members around every 300mm and heavy duty ties rails all round. Accessories such as cages, tonneau covers, tradesman's tops, pantec tops, ladder racks, drop-in bike racks, swing up jockey wheels and spare wheels are available on all trailers.



## Specifications for Hot Dip Galvanised Tandem Trailer

<b>Floor</b>	Checker Plate Floor
<b>Chassis</b>	Square Section Chassis
<b>Drawbar</b>	Rectangular Hollow Section
<b>Body Panels</b>	Galvanised Steel
<b>Coupling</b>	Zinc Plated Mechanical Override Coupling
<b>Springs</b>	5 Leaf Slipper Springs
<b>Axles</b>	40mm Square Solid High Tensile Steel
<b>Brakes</b>	Mechanical Override Disc, Front Axle
<b>Hubs</b>	Cast Steel Trailer Hubs
<b>Bearings</b>	Standard L.M. Series Holden
<b>Wheels &amp; Tyres</b>	14" New Light Truck
<b>Tie Rails</b>	Square Tie Rails
<b>Lights</b>	LED
<b>Jockey Wheel</b>	Included



Size	H	L1	L2	L3	W1	W2
8 x 5	450mm	2400mm	1520mm	3920mm	1500mm	1970mm
9 x 5	450mm	2700mm	1550mm	4250mm	1500mm	1970mm
10 x 5	450mm	3000mm	1500mm	4500mm	1500mm	1970mm
10x 6	450mm	3000mm	1500mm	4500mm	1800mm	2270mm
12 x 6	450mm	3600mm	1500mm	5100mm	1800mm	2270mm

Trailers 2000 Pty Limited  
 Address: 10 Biondi Crescent, (P O Box 2) Beerwah Queensland, Australia 4519  
 Telephone: 07 5494 6711 Fax: 07 5494 6666 Email: sales@trailers2000.com.au