

TRAILERS

2000™

www.trailers2000.com.au



750kg GVM

Uni Trailers

This very clever range of galvanized trailers offer exceptional value and can quickly adapt to suit many different purposes. The trailer is suitable for carrying motorcycles, machinery and equipment, lawn mowers, tanks and much more. This rust free* range of trailers is made from corrosion resistant gal steel, including the integral floor, chassis, and side channels. It gains its enormous strength from the amazing chassis which has a cross member every 300mm.



The clip panel very clever Australian design incorporating the floor and chassis in one. The strength of the floor is then even further increased by the addition of a chequer plate floor overlay. The heavy duty chassis and drawbar are made from galvanized steel profiles and unlike other profiles our profiles are galvanized inside and out where it really counts. This very clever design gives the trailers' chassis some outstanding qualities; Its strong, rust free, durable and long lasting.



Tel: 07 5494 6711 Fax: 07 5494 6666 Email: sales@trailers2000.com.au
Address: 10 Biondi Crescent, (P O Box 2) Beerwah, Qld 4519

TRAILERS

2000™

Specifications for Single Axle Uni Trailer

Floor	Flat Floor from Clip Panel
Chassis	Integral Chassis from Clip Panel
Drawbar	88mm Galvanized Channel Sections
Side Channels	157mm Galvanized Channel Sections
Coupling	Zinc Plated Quick Release Coupling
Springs	Slipper Springs
Axle	39mm Diameter Solid High Tensile Steel
Hubs	150mm Cast Steel Trailer Hubs
Bearings	Standard L.M. Series Holden
Wheels & Tyres	14/15" Second Hand
Tie Downs	Fixed Tie Points
Lights	Combination Lamps
Jockey Wheel Clamp	Included

OPTIONS FOR USE



Ride-On Mowers



Motorcycles



Quad Bikes



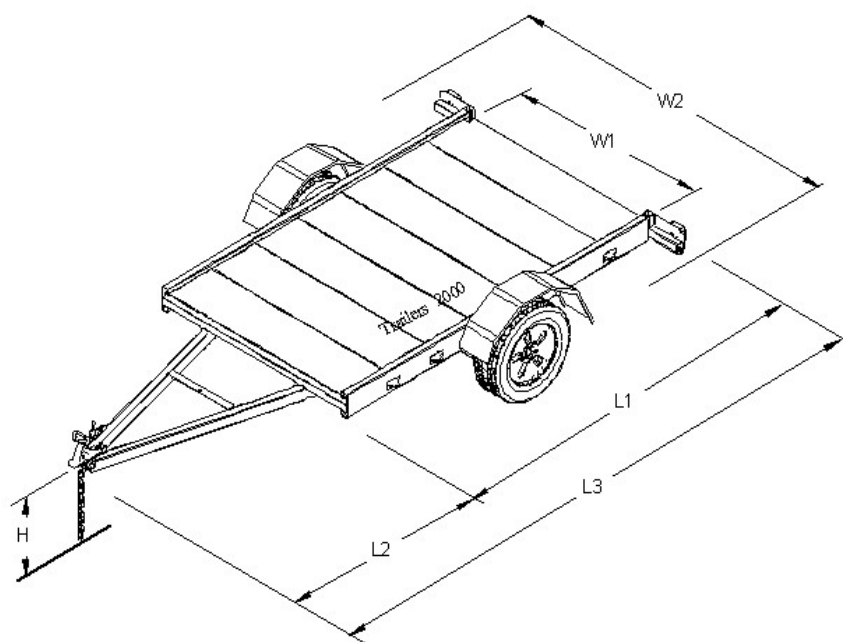
Tanks



Fixed Cage Option



Flat Deck Option



Size	H1	L1	L2	L3	W1	W2
6 x 4	450mm	1800mm	1250mm	3050mm	1200mm	1770mm
7 x 4	450mm	2150mm	1340mm	3490mm	1200mm	1770mm
7 x 5	450mm	2150mm	1380mm	3530mm	1500mm	2070mm
8 x 5	450mm	2500mm	1500mm	4000mm	1500mm	2070mm

All Dimensions are Approximate