

[www.trailers2000.com.au](http://www.trailers2000.com.au)



7 x 4 Standard Top, with Racks Shown



8 x 5 Standard Top, with Racks Shown

## Tradesmans Tops

These Rust Free Tradesman's tops are an outstanding range of tops manufactured from galvanized steel and made to last. There is a large door on each side and behind each door is a gutter that adds to the water resistance. The top is fitted with heavy duty hinges and the doors are fitted with flush mount locks. The entire top is manufactured from our design registered galvanized steel clip panel with its integral frame providing a very sound tradesman's top unlike most flimsy tops available today that are made with no internal framework whatsoever. All tops are standard in either painted or galvanized finish. Gas struts are standard on all tradesman



Available in Standard and High Versions



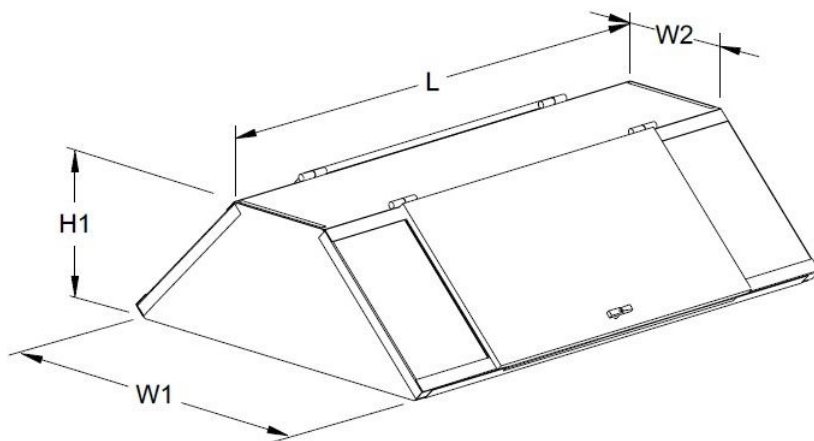
Tradesman's Tops are standard in either painted or Galvanized finish with gas struts on doors.

Tel: 07 5494 6711 Fax: 07 5494 6666 Email: [sales@trailers2000.com.au](mailto:sales@trailers2000.com.au)  
Address: 10 Biondi Crescent, (P O Box 2) Beerwah, Qld 4519

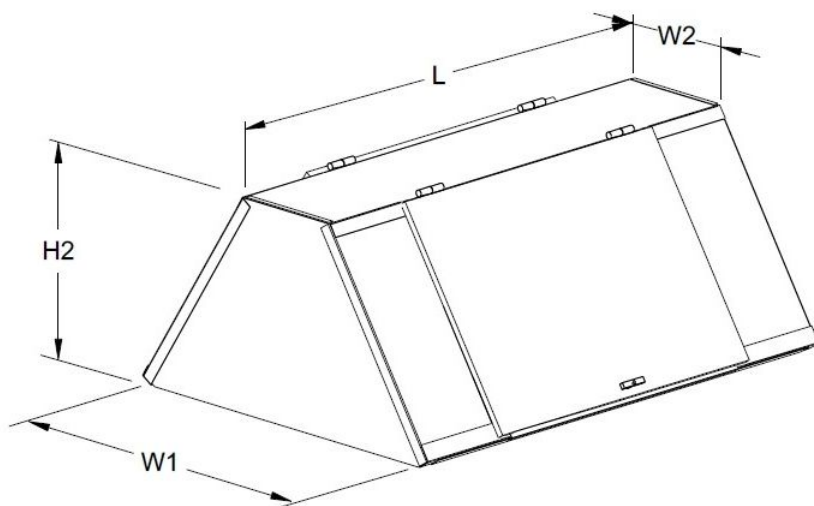


# TRAILERS

# 2000™



**Standard Version**



**High Top Version**

## OPTIONS



Jockey Wheels



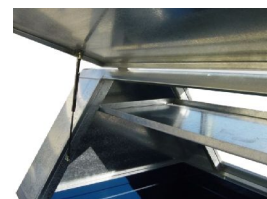
Spare Wheel



Ladder Racks



Gas Struts Standard



Internal Shelf

Size	H1	H2	L	W1	W2
<b>6 x 4</b>	515mm	785mm	1900mm	1300mm	430mm
<b>7 x 4</b>	515mm	785mm	2200mm	1300mm	430mm
<b>7 x 5</b>	670mm	1020mm	2200mm	1600mm	430mm
<b>8 x 5</b>	670mm	1020mm	2500mm	1600mm	430mm

All Dimensions are Approximate