

www.trailers2000.com.au



7 x 4 750mm High Pantec Top Shown

Pantec Tops

The Rust Free Pantec tops are an outstanding range of tops manufactured from galvanized steel and made to last. The tops are available in heights of 750mm, 1100mm and 1450mm. The height from the top lip of the trailer to the start of the doors is only 50mm. Behind each door is a gutter that adds to the water resistance. The top is fitted with heavy duty hinges and the doors are fitted with flush mount locks. The entire top is manufactured from our design registered galvanized steel clip panel with its integral frame providing a very sound pantec top unlike most flimsy tops available today that are made with no internal framework whatsoever. There is an option for a rear door as well and a top with a rear door only can be fitted to a uni trailer to form a luggage trailer or furniture van and the height of these can vary from 1100mm to 1800mm. Racks are also an option that are available on pantec tops. All tops are standard in either the painted or galvanized finish. Gas struts are standard on pantec tops.

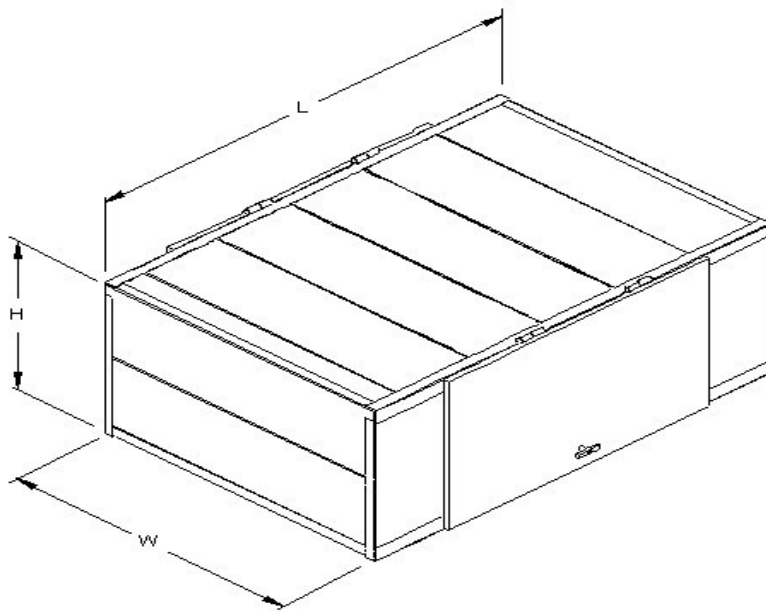


TRAILERS

2000™



Internal View 750mm High



Also available in 1100mm & 1450mm High

Size	H	L	W
6 x 4	750mm	1900mm	1300mm
7 x 4	750mm	2200mm	1300mm
7 x 5	750mm	2200mm	1600mm
8 x 5	750mm	2500mm	1600mm

All Dimensions are Approximate

OPTIONS



Jockey Wheels



Spare Wheel



Ladder Racks



Small Vans Available



Large Vans Available

