

www.trailers2000.com.au



2000kg GVM

8 x 5 Model T4L8

Tandem Zinc Painted Trailers

These very popular range of zinc (galvaneal) tandem painted box trailers provide exceptional value for money. Trailers 2000 do not manufacture the lesser quality black mild steel trailers; here at Trailers 2000 we sell only RUST FREE* trailers. The heavy duty chassis and drawbar are made from galvanized steel profiles and unlike other profiles our profiles are galvanized inside and out where it really counts.



Any trailer can be ordered to suit the customers needs from higher sides to cages and tops in any one of 12 fantastic colours.

Tel: 07 5494 6711 Fax: 07 5494 6666 Email: sales@trailers2000.com.au
Address: 10 Biondi Crescent, (P O Box 2) Beerwah, Qld 4519



TRAILERS

2000™

Specifications for Tandem Axle Zinc Painted Trailer

Floor	Flat Zinc (Galvaneal) Sheet
Chassis	Square Section from Zinc Galvaneal
Drawbar	88mm & 157mm Galvanized Channel
Body Panels	Zinc (Galvaneal) Steel
Coupling	Zinc Plated Mechanical Override Coupling
Springs	5 Leaf Slipper Springs
Axles	40mm Square Solid High Tensile Steel
Brakes	Mechanical Override Disc, Front Axle
Hubs	150mm Cast Steel Trailer Hubs
Bearings	Standard L.M. Series Holden
Wheels & Tyres	14/15" Second Hand
Tie Rails	Square Tie Rails
Lights	Combination Lamps
Jockey Wheel	Included

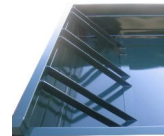
OPTIONS



Swivel Jockey Wheel



Spare Wheel



Drop-In Motorcycle Rack



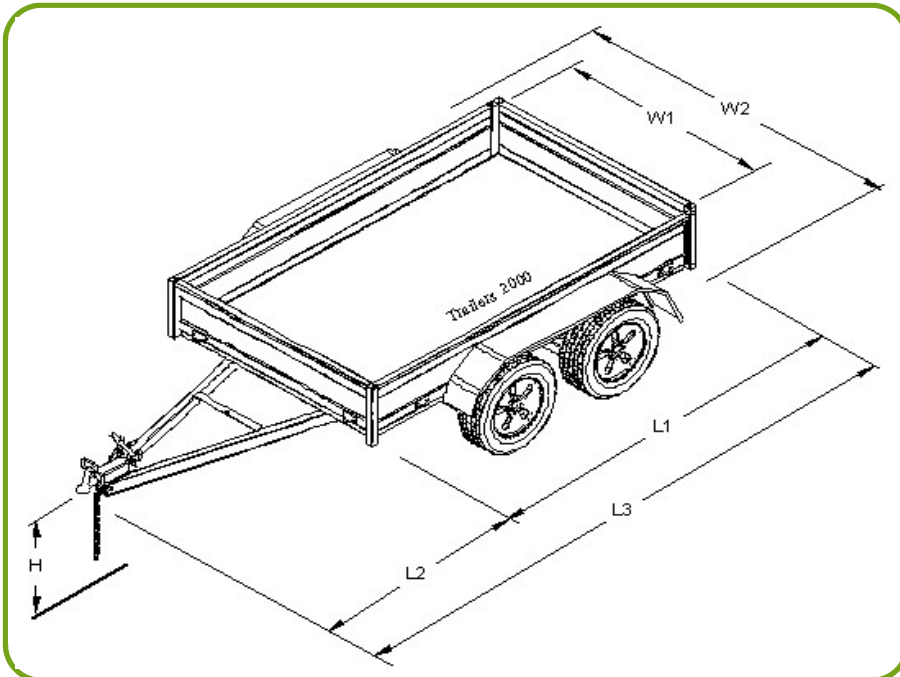
400mm Deep Sides



Racks



Slide-Away Ramps



Size	H	L1	L2	L3	W1	W2
8 x 5	450mm	2400mm	1520mm	3920mm	1500mm	1970mm
9 x 5	450mm	2700mm	1550mm	4250mm	1500mm	1970mm
10 x 5	450mm	3000mm	1500mm	4500mm	1500mm	1970mm
10x 6	450mm	3000mm	1500mm	4500mm	1800mm	2270mm
12 x 6	450mm	3600mm	1500mm	5100mm	1800mm	2270mm