

www.trailers2000.com.au



750kg GVM

7 x 4 Model S5L7



Zinc Painted Box Trailers

These very popular range of zinc (galvaneal) painted box trailers provide exceptional value for money. Trailers 2000 do not manufacture the lesser quality black mild steel trailers; here at Trailers 2000 we sell only RUST FREE* trailers. The heavy duty chassis and drawbar are made from galvanized steel profiles and unlike other profiles our profiles are galvanized inside and out where it really counts. Options such as jockey wheels, spare wheels and new wheels and tyres are available on all trailers.



Model S5L7 Chassis Shown



Any trailer can be ordered to suit the customers needs from higher sides to cages and tops in any one of 12 fantastic colours.

Tel: 07 5494 6711 Fax: 07 5494 6666 Email: sales@trailers2000.com.au
Address: 10 Biondi Crescent, (P O Box 2) Beerwah, Qld 4519



Specifications for Single Axle Zinc Painted Trailer

Floor	Flat or Chequer Plate Zinc (Galvaneal)
Chassis	Square Section from Zinc Galvaneal
Drawbar	88mm Galvanized Channel Sections
Body Panels	Zinc (Galvaneal) Steel
Coupling	Zinc Plated Quick Release Coupling
Springs	Slipper Springs
Axle	39mm Diameter Solid High Tensile Steel
Hubs	150mm Cast Steel Trailer Hubs
Bearings	Standard L.M. Series Holden
Wheels & Tyres	14/15" Second Hand
Tie Rails	Square Tie Rails
Lights	Combination Lamps
Jockey Wheel Clamp	Included

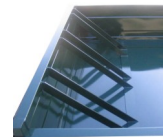
OPTIONS



Jockey Wheels



Spare Wheel



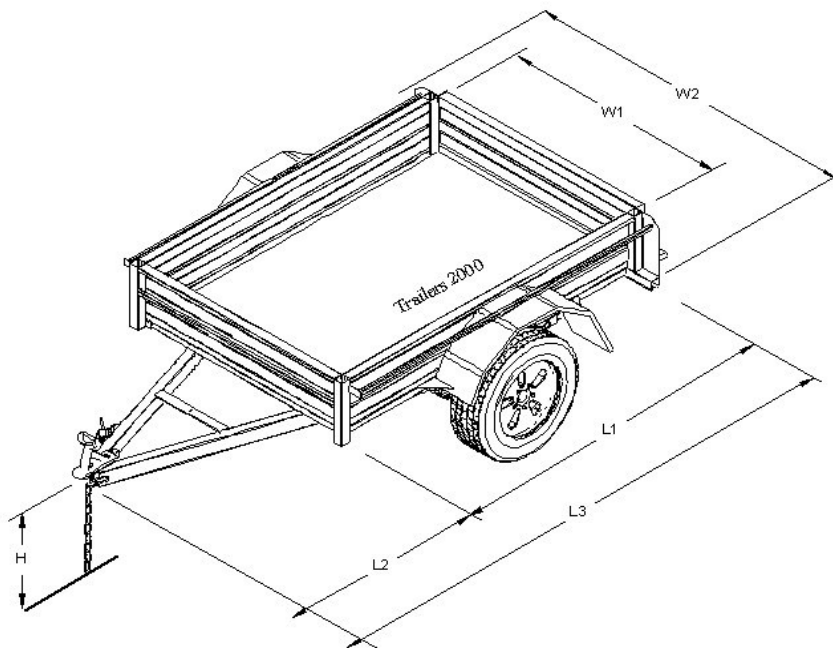
Drop-In Motorcycle Rack



400mm Deep Sides



Racks



Size	H	L1	L2	L3	W1	W2
5 x 3'6"	450mm	1500mm	1100mm	2600mm	1050mm	1530mm
6 x 4	450mm	1800mm	1250mm	3050mm	1200mm	1680mm
7 x 4	450mm	2100mm	1340mm	3440mm	1200mm	1680mm
7 x 5	450mm	2100mm	1380mm	3480mm	1500mm	1980mm
8 x 5	450mm	2400mm	1500mm	3900mm	1500mm	1980mm