

www.trailers2000.com.au



750kg GVM

7 x 4 Model S5L7OR Shown

Off-Road Trailers

These very popular range of zinc (galvaneal) painted box trailers provide exceptional value for money. Trailers 2000 do not manufacture the lesser quality black mild steel trailers; here at Trailers 2000 we sell only RUST FREE* trailers. The heavy duty chassis and drawbar are made from galvanized steel profiles and unlike other profiles our profiles are galvanized inside and out where it really counts.



Model S5L7OR Chassis Shown



Any trailer can be ordered to suit the customers needs from higher sides to cages and tops in any one of 12 fantastic colours.

Tel: 07 5494 6711 Fax: 07 5494 6666 Email: sales@trailers2000.com.au
Address: 10 Biondi Crescent, (P O Box 2) Beerwah, Qld 4519



TRAILERS

2000™

Specifications for Single Axle Zinc Painted Trailer

Floor	Flat Zinc (Galvaneal) Sheet
Chassis	Square Section from Zinc Galvaneal
Drawbar	88mm Galvanized Channel Sections
Body Panels	400mm High Zinc (Galvaneal) Steel
Coupling	Zinc Plated Quick Release Coupling
Springs	5 Leaf Slipper Springs
Axle	45mm Square Solid High Tensile Steel
Hubs	200mm Cast Steel Trailer Hubs
Bearings	Slimline
Wheels & Tyres	16" Second Hand
Tie Rails	Square Tie Rails
Lights	Combination Lamps
Jockey Wheel Clamp	Included

OPTIONS:



Jockey Wheels



Spare Wheel



Racks



Shackle Springs



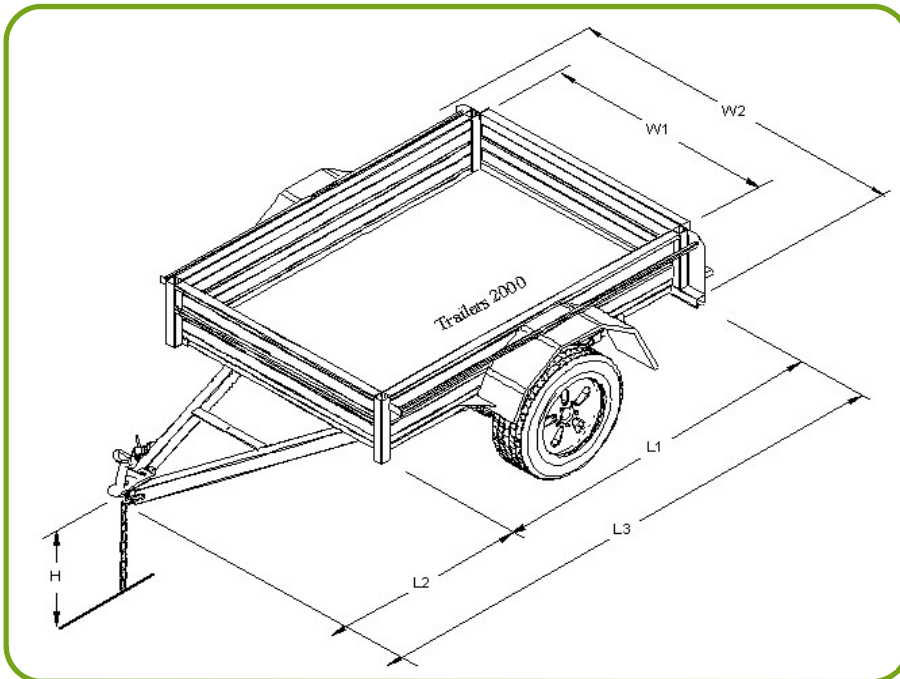
Off Road Coupling



Jerry can Holders



Gas Bottle Holders



Size	H	L1	L2	L3	W1	W2
6 x 4	500mm	1800mm	1580mm	3380mm	1200mm	1720mm
7 x 4	500mm	2100mm	1560mm	3660mm	1200mm	1720mm
7 x 5	500mm	2100mm	1500mm	3600mm	1500mm	2020mm
8 x 5	500mm	2400mm	1500mm	3900mm	1500mm	2020mm