

[www.trailers2000.com.au](http://www.trailers2000.com.au)



**750kg GVM**

## Mower Trailers

The Uni Trailer is a very clever range of galvanized trailers that adapts to suit the needs of the customer and offers exceptional value for money. This trailer is perfect for mowers and small machinery; simply by selecting the mower kit the trailer transforms into a mower trailer in only moments. The trailer is very easy to load and the ramps neatly store away on the front of the headboard when not in use.

This rust free\* range of trailers is made from corrosion resistant gal steel, including the integral floor, chassis, and side channels. Any areas welded are painted with a Silver Zinc paint.



**Easy to Load**



**Ramps Stored in Front Headboard**



# TRAILERS

# 2000™

## Specifications for Single Axle Uni Trailer

<b>Floor</b>	Chequer Plate Floor
<b>Chassis</b>	Integral Chassis from Clip Panel
<b>Drawbar</b>	88mm Galvanized Channel Sections
<b>Side Channels</b>	157mm Galvanized Channel Sections
<b>Coupling</b>	Zinc Plated Quick Release Coupling
<b>Springs</b>	Slipper Springs
<b>Axle</b>	39mm Diameter Solid High Tensile Steel
<b>Hubs</b>	150mm Cast Steel Trailer Hubs
<b>Bearings</b>	Standard L.M. Series Holden
<b>Wheels &amp; Tyres</b>	14/15" Second Hand
<b>Tie Downs</b>	Fixed Tie Points
<b>Lights</b>	Combination Lamps
<b>Jockey Wheel Clamp</b>	Included

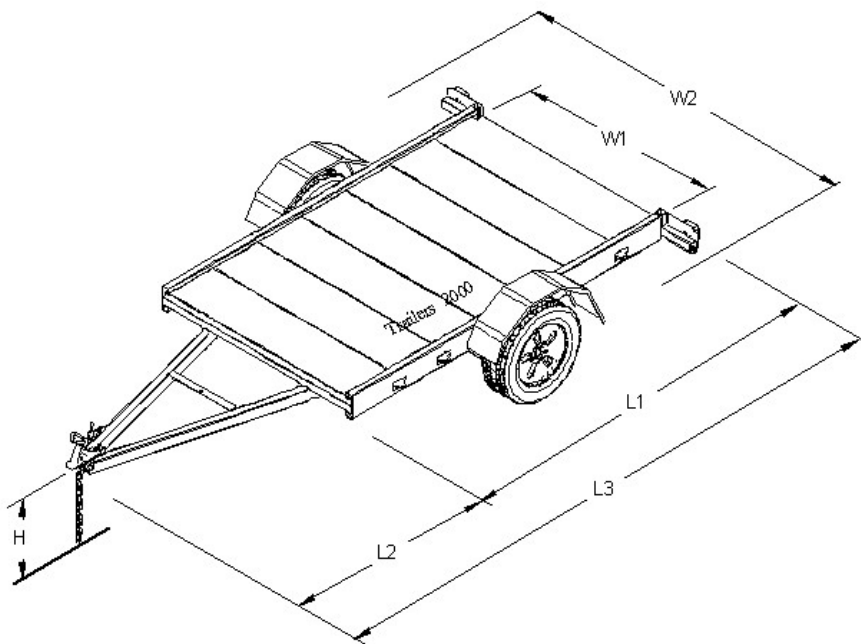
## OPTIONS



Jockey Wheels



Spare Wheel



Size	H1	L1	L2	L3	W1	W2
<b>6 x 4</b>	450mm	1800mm	1250mm	3050mm	1200mm	1770mm
<b>7 x 4</b>	450mm	2150mm	1340mm	3490mm	1200mm	1770mm
<b>7 x 5</b>	450mm	2150mm	1380mm	3530mm	1500mm	2070mm
<b>8 x 5</b>	450mm	2500mm	1500mm	4000mm	1500mm	2070mm

All Dimensions are Approximate