

[www.trailers2000.com.au](http://www.trailers2000.com.au)



**750kg GVM**

## Motorcycle Trailers

The Uni Trailer is a very clever range of galvanized trailers that adapts to suit the needs of the customer and offers exceptional value for money. Simply by selecting the motorcycle kit the trailer changes from a standard trailer into a motorcycle trailer in only moments. Fit any number of the fully adjustable bike racks and position them in any location along the front headboard and adjust to any variation. The ramp neatly stores away on the front of the headboard when not in use. This rust free\* range of trailers is made from corrosion resistant gal steel, including the integral floor, chassis, and side channels. Any areas welded are painted with a Silver Zinc paint.



**Fully Adjustable Bike Rack**



Tel: 07 5494 6711 Fax: 07 5494 6666 Email: [sales@trailers2000.com.au](mailto:sales@trailers2000.com.au)  
Address: 10 Biondi Crescent, (P O Box 2) Beerwah, Qld 4519



# TRAILERS

# 2000™

## Specifications for Single Axle Uni Trailer

<b>Floor</b>	Chequer Plate Floor
<b>Chassis</b>	Integral Chassis from Clip Panel
<b>Drawbar</b>	88mm Galvanized Channel Sections
<b>Side Channels</b>	157mm Galvanized Channel Sections
<b>Coupling</b>	Zinc Plated Quick Release Coupling
<b>Springs</b>	Slipper Springs
<b>Axle</b>	39mm Diameter Solid High Tensile Steel
<b>Hubs</b>	150mm Cast Steel Trailer Hubs
<b>Bearings</b>	Standard L.M. Series Holden
<b>Wheels &amp; Tyres</b>	14/15" Second Hand
<b>Tie Downs</b>	Fixed Tie Points
<b>Lights</b>	Combination Lamps
<b>Jockey Wheel Clamp</b>	Included

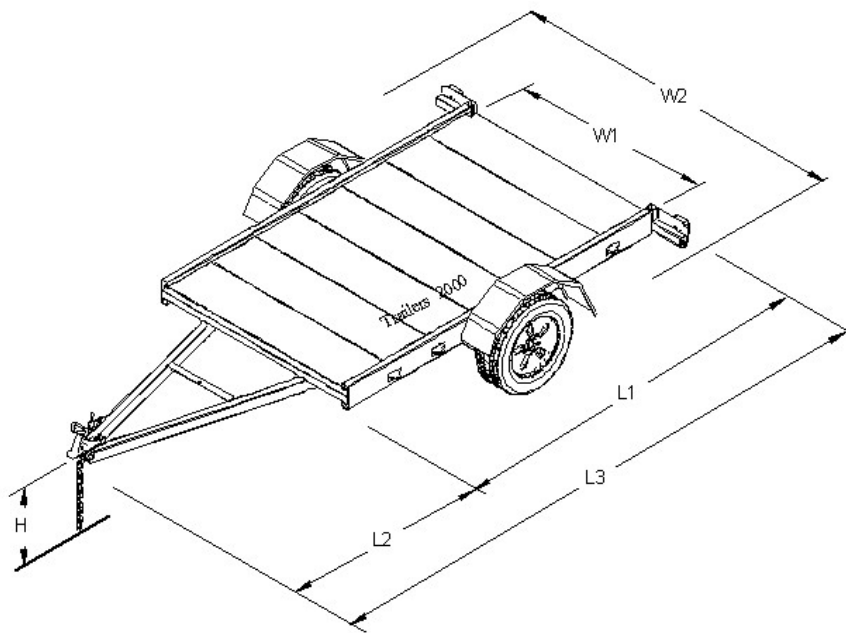
## OPTIONS



Jockey Wheels



Spare Wheel



Size	H1	L1	L2	L3	W1	W2
<b>6 x 4</b>	450mm	1800mm	1250mm	3050mm	1200mm	1770mm
<b>7 x 4</b>	450mm	2150mm	1340mm	3490mm	1200mm	1770mm
<b>7 x 5</b>	450mm	2150mm	1380mm	3530mm	1500mm	2070mm
<b>8 x 5</b>	450mm	2500mm	1500mm	4000mm	1500mm	2070mm

All Dimensions are Approximate