

www.trailers2000.com.au



750kg GVM

Galvanized Box Trailers

This galvanized range of box trailers offer exceptional value; they are available with either a chequer plate floor or flat floor in either medium and heavy duty models with either 300mm or 400mm high sides. Tie Rails are standard on both sides of the trailer and the heavy duty model has the additional front and rear tie rails. The tailgate is removable and is fitted with anti-rattle locks. This rust free range of trailers is made from corrosion resistant gal steel, including the floor, chassis, and panels.



The trailer gains its strength from its full chassis which has a cross member approximately every 300mm. This rust free chassis is from square section which is made from corrosion resistant gal steel providing a durable and long lasting base for the trailer.



Specifications for Galvanized Box Trailer

Floor	Chequer Plate or Flat Floor Available
Chassis	Square Section Chassis
Drawbar	88mm Galvanized Channel Sections
Body Panels	Galvanized Steel
Tailgate	Hinged & Removable - Anti-Rattle Locks
Coupling	Zinc Plated Quick Release Coupling
Springs	Slipper Springs
Axles	39mm Diameter Solid High Tensile Steel
Hubs	150mm Cast Steel Trailer Hubs
Bearings	Standard L.M. Series Holden
Wheels & Tyres	13/14" Second Hand
Tie Rails	Tie Rails Standard
Lights	Combination Lamps
Jockey Wheel Clamp	Included

OPTIONS



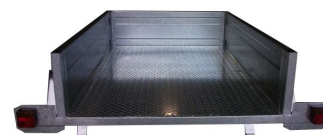
Jockey Wheels



Spare Wheel



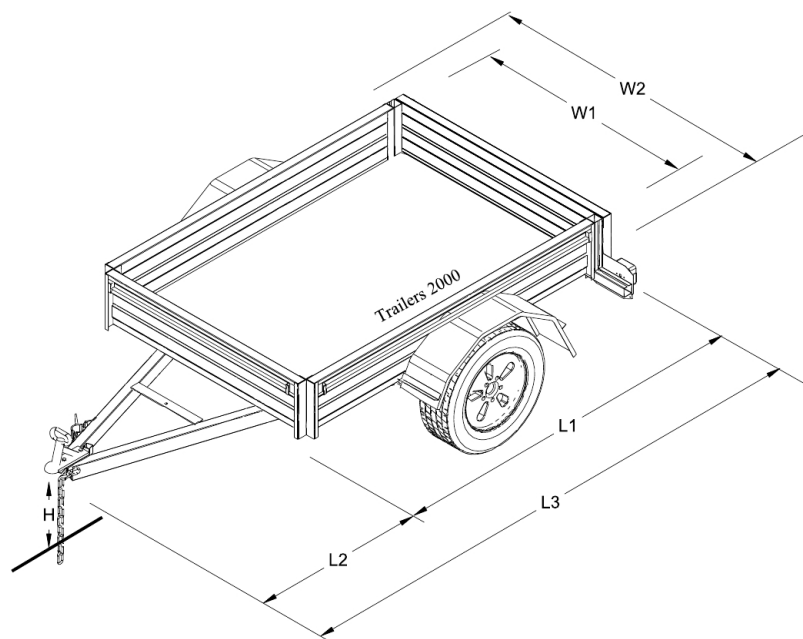
Rear Stands



Chequer Plate Floor Model



Flat Floor Model



Size	H	L1	L2	L3	W1	W2
5 x 3'6"	450mm	1500mm	1100mm	2600mm	1050mm	1530mm
6 x 4	450mm	1800mm	1250mm	3050mm	1200mm	1680mm
7 x 4	450mm	2100mm	1340mm	3440mm	1200mm	1680mm
7 x 5	450mm	2100mm	1380mm	3480mm	1500mm	1980mm
8 x 5	450mm	2400mm	1500mm	3900mm	1500mm	1980mm