

[www.trailers2000.com.au](http://www.trailers2000.com.au)



**750kg GVM**

## Galvanized Box Trailers

This galvanized range of box trailers offer exceptional value; they are available with either a chequer plate floor or flat floor in either medium and heavy duty models with either 300mm or 400mm high sides. Tie Rails are standard on both sides of the trailer and the heavy duty model has the additional front and rear tie rails. The tailgate is removable and is fitted with anti-rattle locks. This rust free range of trailers is made from corrosion resistant gal steel, including the floor, chassis, and panels.



Heavy Duty Model Shown

The trailer gains its strength from its full chassis which has a cross member approximately every 300mm. This rust free chassis is from square section which is made from corrosion resistant gal steel providing a durable and long lasting base for the trailer.



# TRAILERS

# 2000™

## Specifications for Galvanized Box Trailer

<b>Floor</b>	Chequer Plate or Flat Floor Available
<b>Chassis</b>	Square Section Chassis
<b>Drawbar</b>	Rectangular Hollow Section
<b>Body Panels</b>	Galvanized Steel
<b>Tailgate</b>	Hinged - Anti-Rattle Locks
<b>Coupling</b>	Zinc Plated Quick Release Coupling
<b>Springs</b>	Slipper Springs
<b>Axles</b>	39mm Diameter Solid High Tensile Steel
<b>Hubs</b>	150mm Cast Steel Trailer Hubs
<b>Bearings</b>	Standard L.M. Series Holden
<b>Wheels &amp; Tyres</b>	13/14" Second Hand
<b>Tie Rails</b>	Tie Rails Standard
<b>Lights</b>	Combination Lamps
<b>Jockey Wheel Clamp</b>	Included

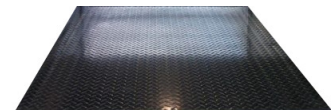
## OPTIONS



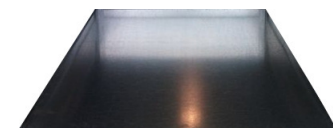
Jockey Wheels



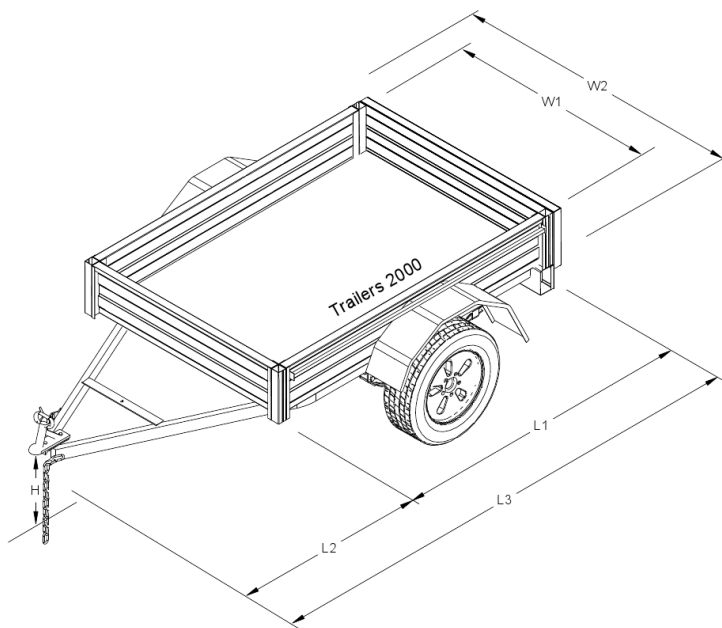
Spare Wheel



Chequer Plate Floor Model



Flat Floor Model



Size	H	L1	L2	L3	W1	W2
6 x 4	450mm	1800mm	930mm	2730mm	1200mm	1680mm
7 x 4	450mm	2100mm	1100mm	3200mm	1200mm	1680mm
7 x 5	450mm	2100mm	1250mm	3350mm	1500mm	1980mm
8 x 5	450mm	2400mm	1250mm	3650mm	1500mm	1980mm