

www.trailers2000.com.au



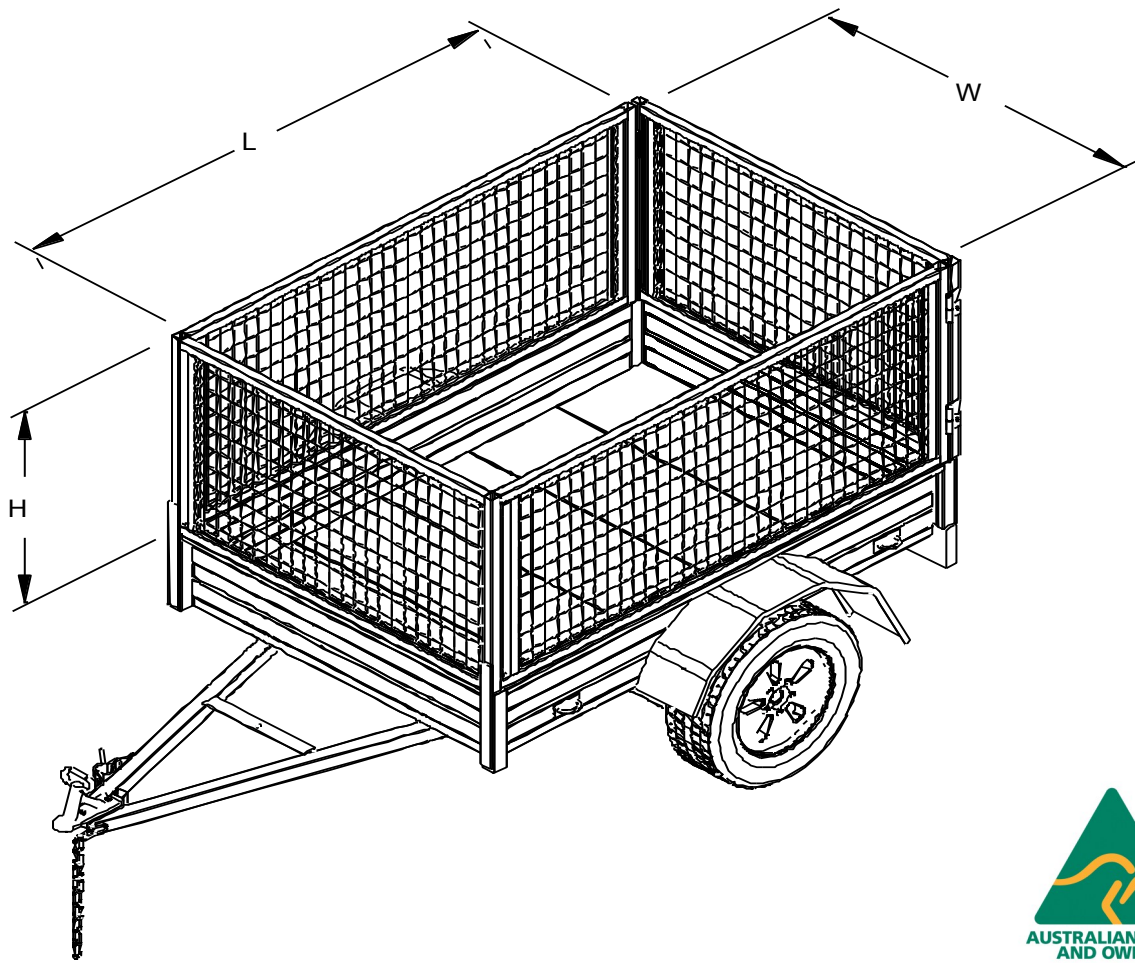
Flat Pack Cages

The Rust Free Trailers 2000 Flat Pack Cages are Australian made from galvanized square section and are an outstanding range of value for money cages. The cages are 600mm high above the trailer and have many outstanding features including a full frame from galvanized square section and 75mm x 50mm galvanized weld-mesh. The cage is made up of 4 sections that are easily assembled one piece at a time to form a strong and durable cage. The cage is cleverly designed to maintain the integrity at the rear of the cage whilst the rear door is open. The removable rear door is from galvanized square section and is fixed with heavy duty hinges. The lock on the door is an over centre type lock. The Flat Pack Cage is easily removed and conveniently stores away taking very little time or space.



Tel: 07 5494 6711 Fax: 07 5494 6666 Email: sales@trailers2000.com.au
Address: 10 Biondi Crescent, (P O Box 2) Beerwah, Qld 4519





Suit Single and Tandem Axle Trailers

Size	H	L	W
6 x 4	600mm	1800mm	1200mm
7 x 4	600mm	2100mm	1200mm
7 x 5	600mm	2100mm	1500mm
8 x 5	600mm	2400mm	1500mm
9 x 5	600mm	2700mm	1500mm
10 x 5	600mm	3000mm	1500mm
10 x 6	600mm	3000mm	1800mm
12 x 6	600mm	3600mm	1800mm

All Dimensions are Approximate Dimensions L and W are Internal Dimensions