

[www.trailers2000.com.au](http://www.trailers2000.com.au)



**750kg GVM to 2000kg GVM**

## Enclosed Trailers

The Rust Free\* range of enclosed trailers are an outstanding range of trailers manufactured from galvanized steel and made to last. They are available in heights from 1100mm to 1800mm high. Behind each door is a gutter that adds to the water resistance. All enclosed trailers are standard with a side opening door which is fitted with heavy duty hinges and the doors are fitted with flush mount locks.



The entire top is manufactured from our design registered galvanized steel clip panel with its integral frame providing a very sound trailer unlike most flimsy tops available today that are made with no internal framework whatsoever. Racks are also an option that is available on enclosed trailers. All enclosed trailers standard with the galvanized steel finish and all welds are finished in Silver Zinc paint and for those customers who prefer to have their trailer painted then this option is also available in any one of 12 fantastic colours. This very clever design gives the trailers' chassis some outstanding qualities; Its strong, rust free, durable and long lasting.



Tel: 07 5494 6711 Fax: 07 5494 6666 Email: [sales@trailers2000.com.au](mailto:sales@trailers2000.com.au)  
Address: 10 Biondi Crescent, (P O Box 2) Beerwah, Qld 4519

# TRAILERS

# 2000™

## Specifications for Both Single and Tandem Axle Enclosed Trailers

<b>Floor</b>	Flat Floor from Clip Panel
<b>Chassis</b>	Integral Chassis from Clip Panel
<b>Drawbar</b>	88mm (158mm) Galvanized Channel Sections
<b>Side Channels</b>	157mm Galvanized Channel Sections
<b>Coupling</b>	Zinc Plated (Mechanical Override) Coupling
<b>Springs</b>	5 Leaf Slipper Springs
<b>Axle Single Axle</b>	39mm Diameter Solid High Tensile Steel
<b>Axles Tandem Axle</b>	40mm Square Solid High Tensile Steel
<b>Brakes on Tandem</b>	Mechanical Override Front Axle
<b>Hubs</b>	150mm Cast Steel Trailer Hubs
<b>Bearings</b>	Standard L.M. Series Holden
<b>Wheels &amp; Tyres</b>	14/15" Second Hand
<b>Lights</b>	Combination Lamps
<b>Jockey Wheel</b>	Included on Tandems Optional on Single Axle

*Note: Any Details in Brackets indicates that those details apply to some Tandem Axle Trailers*

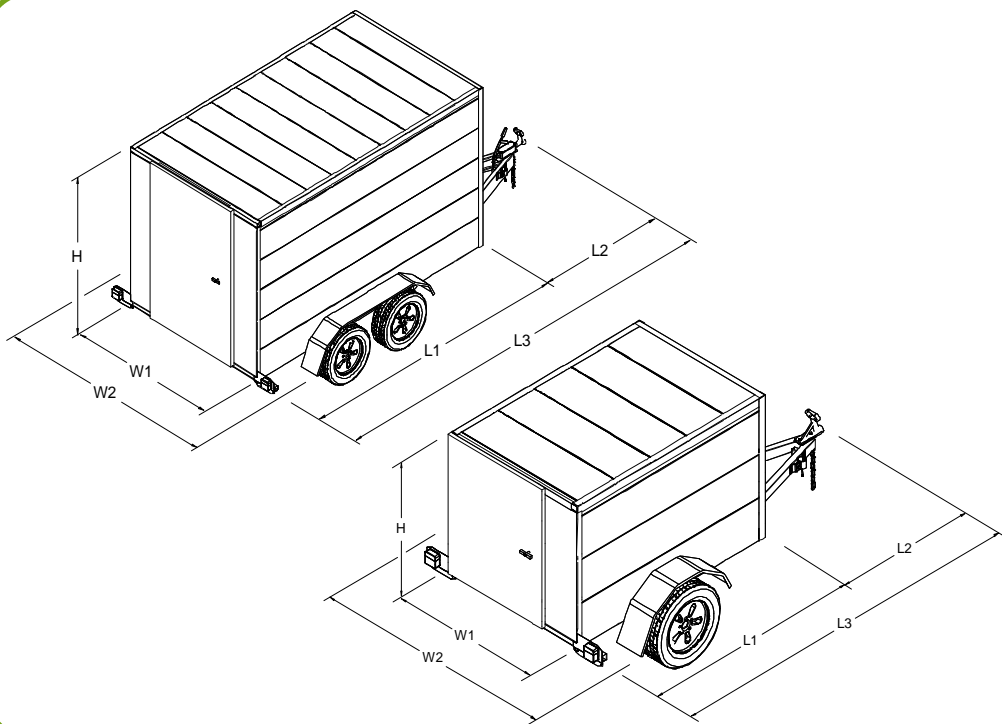
## OPTIONS



Jockey Wheels



Spare Wheel



Size	H	L1	L2	L3	W1	W2
6 x 4	1100mm	1800mm	1250mm	3050mm	1300mm	1770mm
7 x 4	1100mm	2150mm	1340mm	3490mm	1300mm	1770mm
7 x 5	1450mm	2150mm	1380mm	3530mm	1600mm	2070mm
8 x 5	1800mm	2500mm	1500mm	4000mm	1600mm	2070mm
9 x 5	1800mm	2850mm	1550mm	4400mm	1600mm	2070mm
10 x 5	1800mm	3200mm	1500mm	4700mm	1600mm	2070mm
10 x 6	1800mm	3200mm	1500mm	4700mm	1900mm	2370mm
12 x 6	1800mm	3550mm	1500mm	5050mm	1900mm	2370mm

All Dimensions are Approximate; Heights are optional and vary between 1100mm and 1800mm