

TRAILERS

2000™

www.trailers2000.com.au



2000kg GVM



CC4LU Car Carrier

This very clever range of galvanized trailers offer exceptional value and can quickly adapt to suit many different purposes. The trailer is suitable for carrying machinery and equipment, lawn mowers, tanks and much more. This rust free* range of trailers is made from corrosion resistant gal steel, including the integral floor, chassis, and side channels. It gains its enormous strength from the amazing chassis which has a cross member every 300mm.



The clip panel very clever Australian design incorporating the floor and chassis in one. The strength of the floor is then even further increased by the addition of a chequer plate floor overlay. The heavy duty chassis and drawbar are made from galvanized steel profiles and unlike other profiles our profiles are galvanized inside and out where it really counts. This very clever design gives the trailers' chassis some outstanding qualities; Its strong, rust free, durable and long lasting.



Tel: 07 5494 6711 Fax: 07 5494 6666 Email: sales@trailers2000.com.au
Address: 10 Biondi Crescent, (P O Box 2) Beerwah, Qld 4519

TRAILERS

2000™

Specifications for Car Carrier Model CC4LU

Floor Dimensions	3900mm Long x 1910mm Wide
Capacity	2000kg GVM
Floor	Chequer Plate Floor
Chassis	Integral Chassis 50mm Square
Drawbar	157mm Galvanized Channel
Ramps	Slide-Away Ramps at Rear
Coupling	Zinc Plated Mechanical Override Coupling
Springs	5 Leaf Slipper Springs
Axles	40mm Square Solid High Tensile Steel
Brakes	Mechanical Override Disc, Front Axle
Hubs	150mm Cast Steel Trailer Hubs
Bearings	Standard L.M. Series Holden
Wheels & Tyres	14/15" Second Hand
Tie Downs	Fixed Tie Points
Lights	Combination Lamps
Jockey Wheel	Included

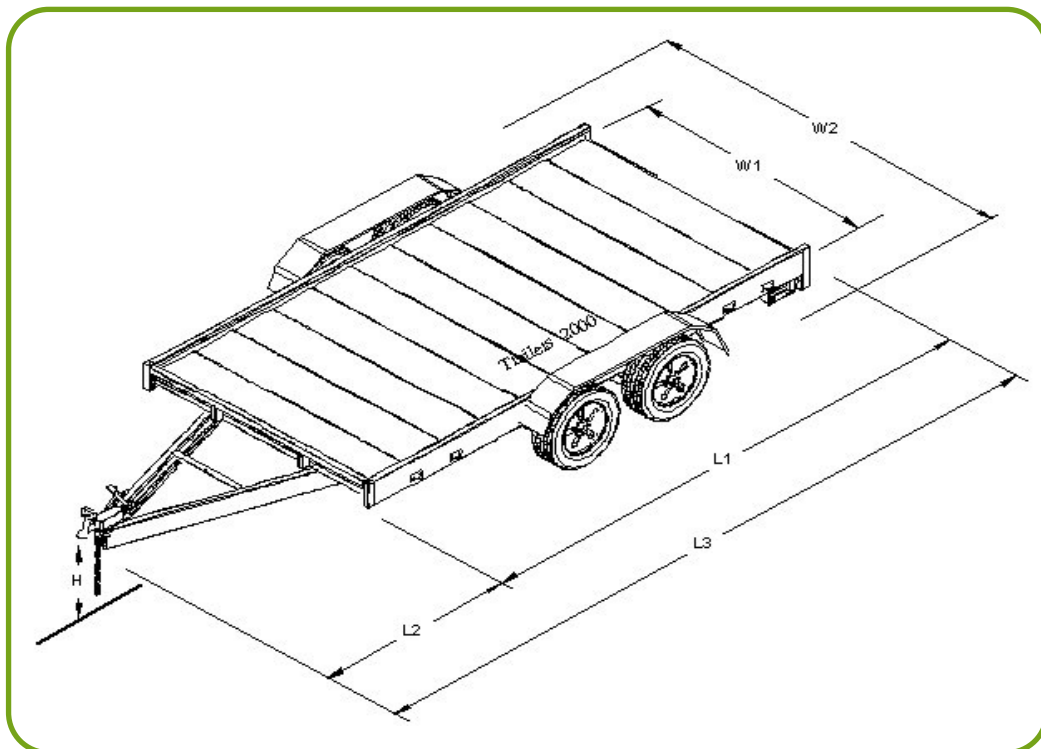
OPTIONS



Swivel Jockey Wheel



Spare Wheel



Size	H	L1	L2	L3	W1	W2
13 x 6'3"	450mm	3900mm	1800mm	5700mm	1910mm	2480mm

Also Available in: 2490kg GVM