

TRAILERS

2000™

www.trailers2000.com.au



2000kg GVM

CC4L Car Carrier

These very popular range of zinc (galvaneal) painted car carriers provide exceptional value for money. Trailers 2000 do not manufacture the lesser quality black mild steel trailers; here at Trailers 2000 we sell only RUST FREE* trailers



The heavy duty chassis and drawbar are made from galvanized steel profiles and unlike other profiles our profiles are galvanized inside and out where it really counts. The floor on this model trailer is heavy duty black mild steel chequer plate; Any trailer can be ordered to suit the customers needs in any one of 12 fantastic colours.



Tel: 07 5494 6711 Fax: 07 5494 6666 Email: sales@trailers2000.com.au
Address: 10 Biondi Crescent, (P O Box 2) Beerwah, Qld 4519

TRAILERS

2000™

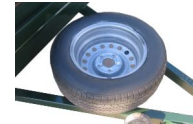
Specifications for Car Carrier Model CC4L

Floor Dimensions	3900mm Long x 1980mm Wide
Capacity	2000kg GVM
Floor	Chequer Plate Floor
Chassis	Zinc (Galvaneal) Square Section
Drawbar	157mm Galvanized Channel
Ramps	Slide-Away Ramps at Rear
Coupling	Zinc Plated Mechanical Override Coupling
Springs	5 Leaf Slipper Springs
Axles	40mm Square Solid High Tensile Steel
Brakes	Mechanical Override Disc, Front Axle
Hubs	150mm Cast Steel Trailer Hubs
Bearings	Standard L.M. Series Holden
Wheels & Tyres	14/15" Second Hand
Tie Downs	Fixed Tie Points
Lights	Combination Lamps
Jockey Wheel	Included

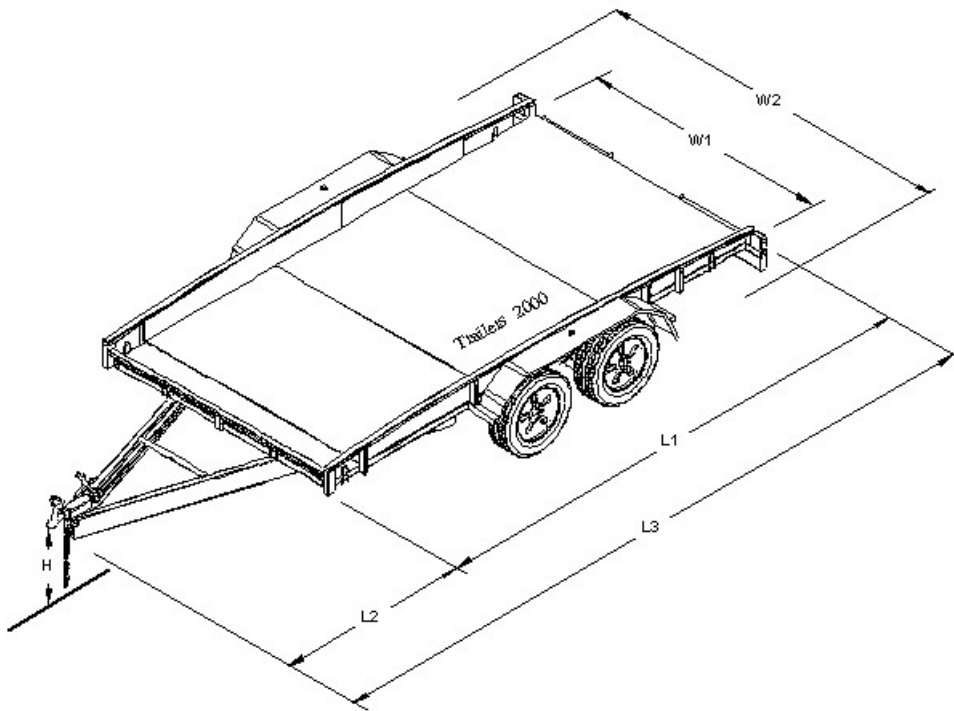
OPTIONS



Swivel Jockey Wheel



Spare Wheel



Also Available in:

- 2490kg GVM
- 3000kg GVM
- 3500kg GVM
- 4000kg GVM



Size	H	L1	L2	L3	W1	W2
13 x 6'6"	450mm	3900mm	1800mm	5700mm	1980mm	2490mm

Tel: 07 5494 6711 Fax: 07 5494 6666 Email: sales@trailers2000.com.au
 Address: 10 Biondi Crescent, (P O Box 2) Beerwah, Qld 4519